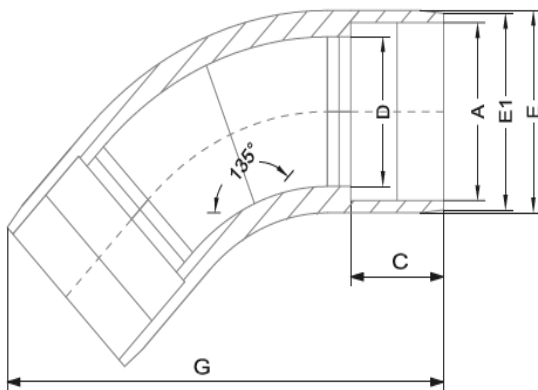


Geo-Glide 45 Elbow

Geo-Glide fittings are the new standard in high performance, labor-efficient, and professional looking geothermal HDPE piping systems. Designed to facilitate the speed and appearance of insulated piping, the large radius also contributes to a high performance and low pressure drop flow path for the geothermal fluid.

Key Features

- Thin wall with tapered leading edge & patent pending ribbed design to facilitate sliding insulation onto piping
- Generous sweep radius to reduce pressure drop and prevent bunching up of insulation
- Long service life: 50+ years expected lifetime
- Excellent resistance to slow crack growth (SCG), corrosion, and abrasion
- Textured surface for enhanced gripping
- 50 Year Limited Warranty



GEO-GLIDE 45 ELBOW DIMENSIONS						
Size	A	C	D	E1	E	G
1-1/4" x 1-1/4"	1.615	1.000	1.360	1.786	1.839	4.696

Pressure rated at 100 psi.

The resin used in the production of all GES fittings meets or exceeds ASTM D2513 standards.