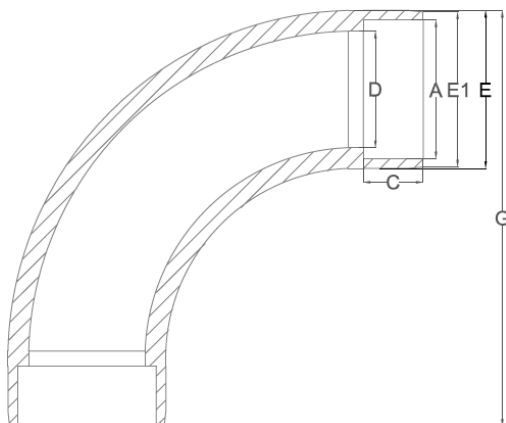


Geo-Glide 90 Elbow

Geo-Glide fittings are the new standard in high performance, labor-efficient, and professional looking geothermal HDPE piping systems. Designed to facilitate the speed and appearance of insulated piping, the large radius also contributes to a high performance and low pressure drop flow path for the geothermal fluid.

Key Features

- Thin wall with tapered leading edge & patent pending ribbed design to facilitate sliding insulation onto piping
- Generous sweep radius to reduce pressure drop and prevent bunching up of insulation
- Long service life: 50+ years expected lifetime
- Excellent resistance to slow crack growth (SCG), corrosion, and abrasion
- Textured surface for enhanced gripping
- 50 Year Limited Warranty



GEO-GLIDE 90 ELBOW DIMENSIONS						
Size	A	C	D	E1	E	G
3/4" x 3/4"	1.020	0.717	0.837	1.180	1.233	3.616
1" x 1"	1.275	0.784	1.052	1.489	1.542	4.271
1-1/4" x 1-1/4"	1.618	0.956	1.360	1.739	1.839	4.839
1-1/2" x 1-1/2"	1.860	0.968	1.554	2.099	2.152	5.576
2" x 2"	2.335	1.000	1.943	2.581	2.634	6.929

Pressure rated at 100 psi.

The resin used in the production of all GES fittings meets or exceeds ASTM D2513 standards.